

Project : F4WD
Project Number : HI39700



P. O. Nr.

CDR
Code

Seq.

Rev.

SBM Document Number : 001 . 39700 . 000XXX AK 008 - 00

SBM CDR Description : Equipment Index & Data Sheets

This document is part of VDB : VDB2

Supplier : KIDDE CHINA LIMITED

Address : 8F, Building A, New Bund
World Trade Center No. 4,
Lane 255 Dong Yu Road,
Shanghai



Package Description : Gaseous Fire Fighting System Package

Vendor P. O. Reference :

Vendor Document Number : KD-1802-AK-008

Vendor Document Revision : 0

Document Title : Equipment Index & Data Sheets
For control stations

Total Pages (incl. front page) : 3

Applicable Tag Number(s) :

Notes



ComEx control stations Stainless steel

Features

- Standard enclosures
- Corrosion resistance
- Customer-tailored solutions

Description

It's a question of control, signalling and display units fitted into stainless steel standard enclosures. The enclosures are certified for use in Zone 1 and 2 as well as Zone 21 and 22.

The equipment is highly corrosion resistant due to high quality stainless steels. Either plastic or metal glands are used for electrical connection.

On request, BARTEC will equip the enclosures with corresponding control, signalling and display units and cable glands and supply the required labels.

Explosion protection

Ex protection type

ATEX Ex II 2G Ex de IIC T6 Gb
 Ex II 2D Ex tb IIIC T 80 °C Db

Certification

IBExU 12 ATEX 1099

IECEX

Ex de IIC T6 Gb
Ex tb IIIC T 80 °C Db

Certification

IECEX IBE 12.0031

Further approvals

CSA, GOST, NEPSI

Other approvals and certificates, see www.bartec-group.com

Permissible ambient temperature

-20 °C to +40 °C
-55 °C to +60 °C
(depending on the fitted components)

Product printing

Standard: ATEX and IECEX marking.
Other markings on request.
Please specify in plain text.

Technical data

Connection

Terminals 2.5 mm²

Bore hole for bushings

standard version:
1 x M20 x 1.5

special versions:

2 x M20 x 1.5 up to max. 1 x M40 x 1.5

Enclosure

High-quality stainless steel 316 L, 312 L

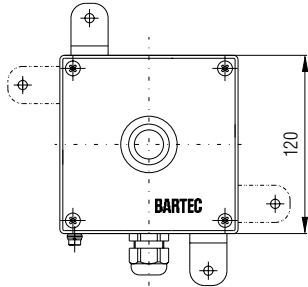
Protection class

IP 65/IP 66

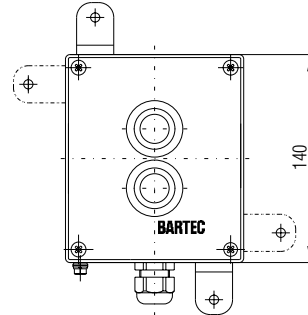
Technical data subject to change without notice.



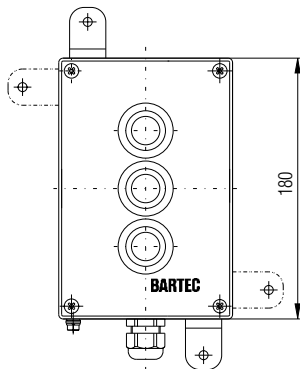
Control unit, single Type 07-3232-1275/....



Control station, double Type 07-3132-1475/....



Control station, triple Type 07-3132-1875/....



Mounting dimensions

