

Addressable Manual Pull Station Series 3300

FEATURES

- Unique Field Labeling for either Fire Alarm or Suppression Applications
- Dual Action Operation
- Surface and Weatherproof Backboxes
- Flashing LED
- Keylock for Reset
- UL Listed #S5654
- FM Approved
- cUL Listed #7150-1076:147

DESCRIPTION

The Kidde® Addressable Manual Pull Stations is an intelligent initiating device that contains its own SmartOne™ Addressable Input (AI) module and interfaces directly to the Kidde PEGAsys™ and ARIES™ control panels. The initiating device circuit is wired as NFPA Class B.

The Manual Pull Station is constructed of heavy die-cast aluminum for long life and uses an internal toggle switch for reliable operation.

Similar to the SmartOne devices, the unit is field programmable using the control panel keypad or Hand-Held Programmer. The owner location message and reporting type can be customized by the use of a programming utility utilized with the control panel. A status LED is mounted on the unit and indicates the status by a 2 or 9 second flash interval. A Trouble condition inhibits the status LED completely.

While the Pull Station is designed for quick, efficient emergency response, its double action PUSH/PULL levers prevent accidental operation.

The Pull Station can be mounted in an indoor or outdoor weatherproof backbox (Model SBG-32S or Model SGB-32C) or a North American 2-1/2 in. (64 mm) deep single-gang box.

The Station terminal block on the AI module accepts 14, 16 and 18 AWG (1.5 mm², 1.0 mm², and 0.75 mm²) wire. Size #18 is the minimum requirement.

FIRE ALARM OR SUPPRESSION RELEASE LABELING

The Pull Station has a unique labeling method which provides the installer the greatest amount of flexibility without the expense of having to carry extra inventory. Seven heavy-duty Lexan® self-adhesive labels are shipped with each station:



- FIRE ALARM
- NOVEC 1230 RELEASE
- FIRE SYSTEMS RELEASE
- FM-200 RELEASE
- FE-13 RELEASE
- HALON RELEASE

SPECIFICATIONS

Station Type:

- Double Action, with integral SmartOne Addressable Module

Initiating Device Circuit:

- EOL Resistor Value:
 - 0 K Ohm (06-129025-003)
- Max. Circuit Resistance:
 - 50 Ohm (25 ohm per conductor)
- Max. Circuit Capacitance:
 - 0.1µF

Operating Temperature Range:

- -40°F to 150°F (-40°C to 66°C)

Operating Humidity Range:

- 0-95% RH

Construction:

- Die-cast metal housing

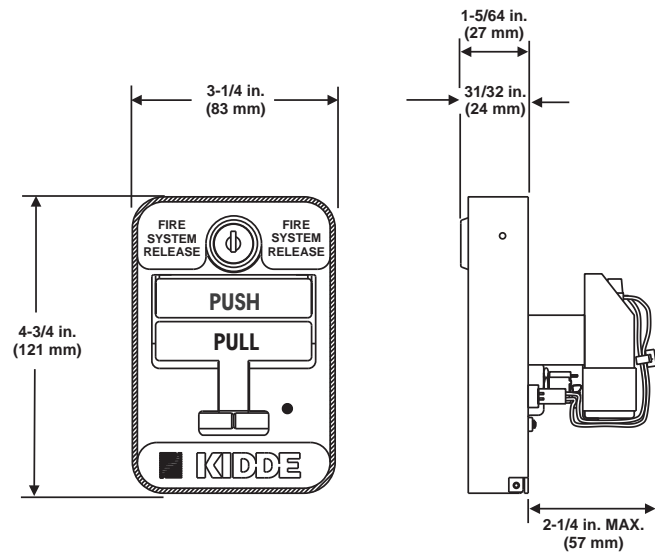
Compatible Electrical Boxes:

- Indoor:
 - Sheet metal Model SGB-32S
- Outdoor:
 - Weatherproof Die-cast Model SGB-32C

Shipping Weight:

- 1.12 lbs. (510 g)

DIMENSIONS



SGB-32S INTERIOR SURFACE BACKBOX

Dimensions:

- 4-3/4 in. H x 3-1/4 in. W x 2-1/4 in. D

Construction:

- Steel sheet metal

Conduit:

- Two knockouts for 1/2 in. conduit connectors, one on top and bottom

Mounting:

- Mounts to the box with (4) 8/32 screws, which ship with each box

SGB-32C WEATHERPROOF SURFACE BACKBOX

Dimensions:

- 4-3/4 in. H x 3-1/4 in. W x 2-1/4 in. D

Construction:

- Cast aluminum

Conduit:

- One threaded opening for 1/2 in. conduit connector

Mounting:

- Mounts to the box with (4) 8/32 screws and a foam gasket, which ship with each box