

Kidde Engineered Fire Suppression System

Designed for use with 3M™ Novec™ 1230 Fire Protection Fluid



Effective: March 2007
K-45-9045

3-inch Flexible Discharge Hose Data Sheet

FEATURES

- *Stainless Steel Braided*
- *Victaulic Fittings*
- *FM Approved*
- *UL Listed*

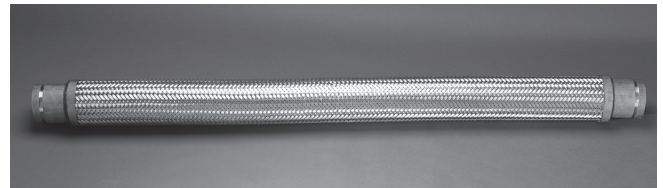
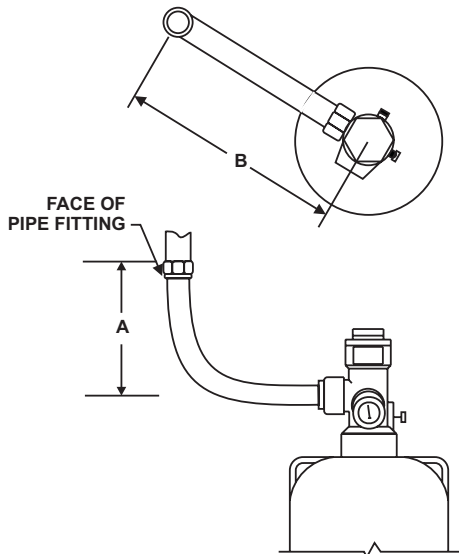
P/N: 06-118225-001

DESCRIPTION

Stainless Steel flexible hose is used to connect the 3-inch valve cylinders (both the 600 lb. and 900 lb. cylinders) to discharge piping. The hose has a victaulic fitting at the cylinder end and a 3-inch male groove fitting to connect to the piping.

INSTALLATION

The stainless steel flexible braided hose may be installed horizontally or with a 90 degree bend radius as shown in the diagram below.



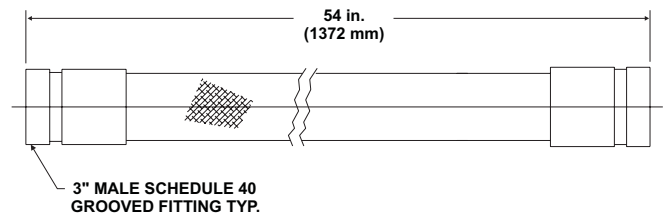
ORDERING INFORMATION

The part number for ordering the 3-inch flexible discharge hose is 06-118225-001.

SPECIFICATION

Material:	Convuluted hose with stainless steel braid overlay
Working pressure:	500 PSI (3.4 Mpa)
Proof pressure:	1000 PSI (7.0 Mpa)
Burst pressure:	2000 PSI (13.8 Mpa)

DIMENSIONS



Dimensions	
A	B
33 in. (838 mm)	36 in. (914 mm)

Note: Dimensions A and B must be maintained in order to obtain a smooth radius in flexible loop. Hose may require adapter to connect to system piping.

Kidde is a registered trademark of Kidde-Fenwal, Inc.
3M and Novec are trademarks of 3M.
All other trademarks are property of their respective owners.

This literature is provided for informational purposes only. KIDDE-FENWAL, INC. assumes no responsibility for the product's suitability for a particular application. The product must be properly applied to work correctly.
If you need more information on this product, or if you have a particular problem or question, contact KIDDE-FENWAL, INC., Ashland, MA 01721. Telephone: (508) 881-2000.

Kidde Fire Systems
A UTC Fire & Security Company
400 Main Street
Ashland, MA 01721
Ph: 508.881.2000
Fax: 508.881.8920
www.kiddefiresystems.com

Kidde Engineered Fire Suppression System

Designed for use with 3M™ Novec™ 1230 Fire Protection Fluid



A UTC Fire & Security Company

Effective: March 2007

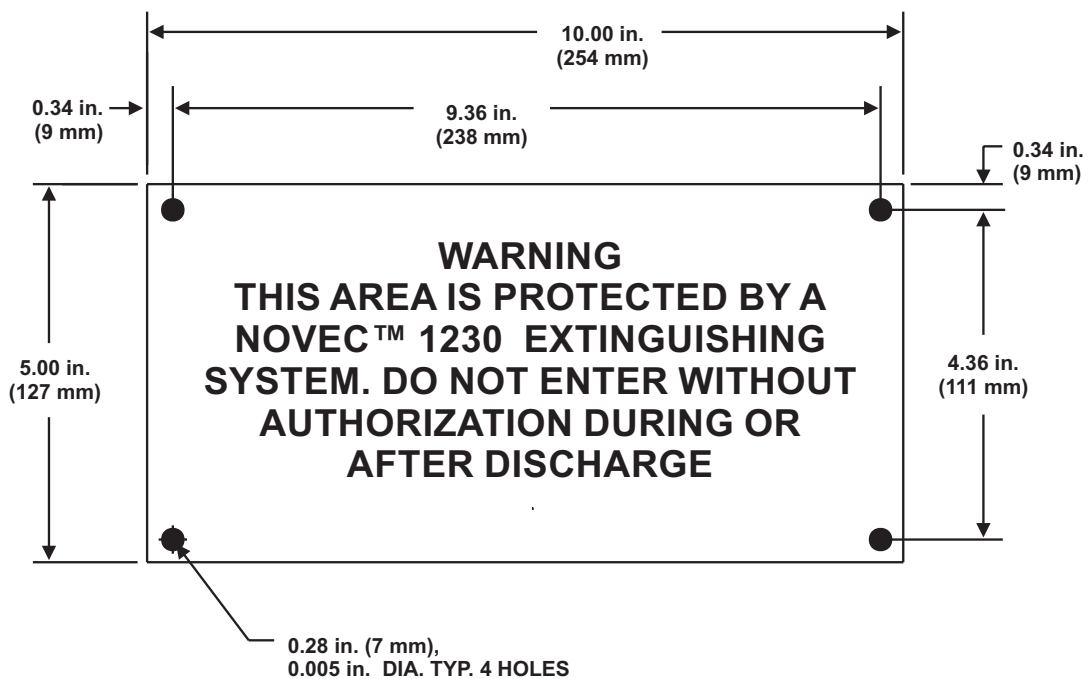
K-45-9030

Warning Nameplate Data Sheet

FEATURES

- *For Use with UL Listed, ULC Listed, and FM Approved Systems*

P/N: 06-231866-760



MATERIALS

- Aluminum Type 1100-H14, 0.032 ± 0.003 Thick. All Letters to be 48 pt. Alternate Gothic #2, Etched 0.003 to 0.005 and Filled With Red Chip Proof Enamel Color No. 21105 per Fed. Stc. 595
- Finish: One Coat Clear Lacquer Both Sides

Kidde is a registered trademark of Kidde-Fenwal, Inc.
3M and Novec are trademarks of 3M.
All other trademarks are property of their respective owners.

This literature is provided for informational purposes only. KIDDE-FENWAL, INC. assumes no responsibility for the product's suitability for a particular application. The product must be properly applied to work correctly.
If you need more information on this product, or if you have a particular problem or question, contact KIDDE-FENWAL, INC., Ashland, MA 01721. Telephone: (508) 881-2000.

Kidde Fire Systems
A UTC Fire & Security Company
400 Main Street
Ashland, MA 01721
Ph: 508.881.2000
Fax: 508.881.8920
www.kiddefiresystems.com