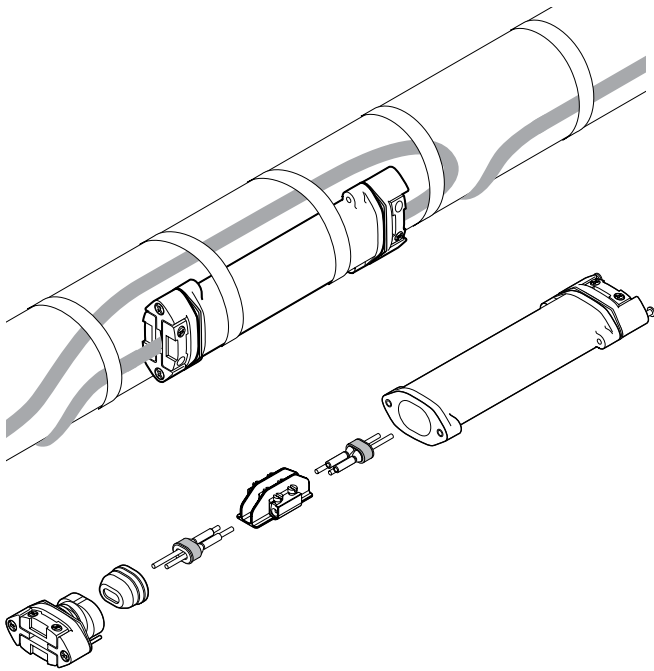


Raychem S-150

COLD APPLIED UNDER INSULATION LOW PROFILE SPLICE 



The S-150 is a cold applied low profile splice for in-line connection. This universal kit fits with all Raychem industrial heating cables, BTV, QTVR, XTV and KTV, meaning simplified product selection and reduced inventory to stock. It can be used in applications with temperatures ranging from -50°C to 215°C. It is approved for use in hazardous areas.

The unique design of the S-150 suits the demanding requirements of the industrial environment. The low profile housing can be installed on pipes and other surfaces. Spring loaded grommets make a first seal to maintain a water tight connection while the non-curing sealant (silicone free) used in Raychem's core sealer adds a second seal, providing additional protection. The rugged construction of the splice makes it resistant to impact and suitable for high temperature variations and aggressive chemical exposure. The connection is made using screw terminals. The splice is re-enterable. The S-150 is a safe under the insulation in-line splice that can be relied upon over time.

The splice requires no heat source for installation, making maintenance work fast and easy. Each kit contains all the necessary materials to do one in-line splice connection.



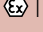
DESCRIPTION


Cold-applied in-line splice kit for use with BTV, QTVR, XTV and KTV heating cables.

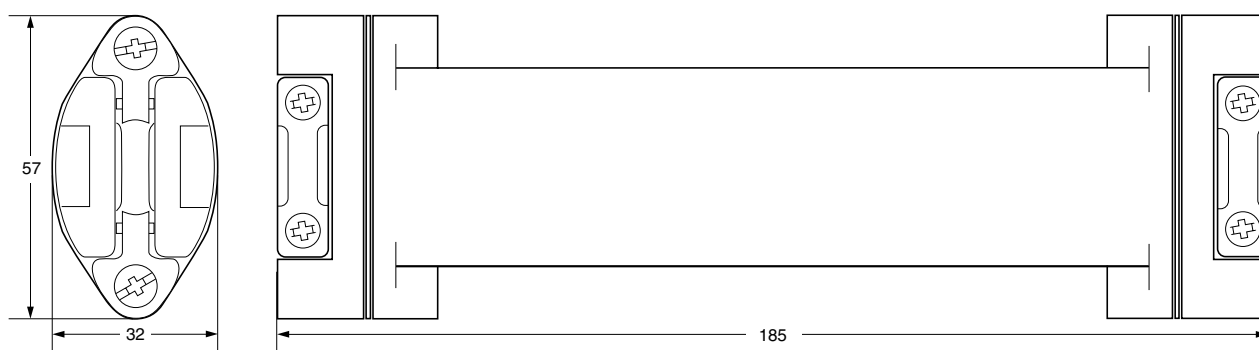
KIT CONTENTS

- 1 splice housing
- 2 sealing grommets
- 2 core sealers
- 1 spacer including screw terminals
- 1 identification label

APPROVALS

 Ex e II
 PTB 09 ATEX 1068 U
 II 2G Ex e II
 II 2D Ex tD A21 IP66
 IECEX
 PTB 09.0043U
 Ex e II
 Ex tD A21 IP66
 DNV approval
 DNV Certificate No. E-11564 and E-11565

 (Russia, Kazakhstan, Belarus)
 For other countries contact your local Pentair representative.

DIMENSIONS (IN MM)**PRODUCT SPECIFICATIONS**

Heating cable capability	BTV-CR, BTV-CT, QTVR-CT, XTV-CT, KTV-CT
Ingress protection	IP66
Minimum installation temperature	-50°C
Maximum pipe temperature	Refer to heating cable specification
Connection method	Screw terminals
Maximum operating voltage	277 Vac
Maximum current rating	40 A heating cable circuit for PTB

MATERIALS OF CONSTRUCTION

Housing, end plate, shim and spacer	Engineering polymers, black
Sealing grommets	Silicone rubber
Screws, compression spring	Stainless steel

ORDERING DETAILS

Splice connection	S-150
PN (Weight)	497537-000 (0.4 kg/0.8 lb.)