

EVZ Ex Pendant Light 70W~600W

Product Introduction

EVZ series HID pendant luminaire is an Ex ed design with rugged fixture and impact-resistant tempered glass globe. It includes two versions with full range of HID wattage application, small body version for the 70W, 100W, 150W HID lamp and, large body version for the 150W, 250W, 400W, 600W HID lamp.

This series of product offers users a high efficient, safe, reliable and convenient application explosion-proof lighting in hazardous area.

Zone1 & Zone2: oil refineries, shipboard & platforms, chemical, petrochemical & LNG plants, waste or sewage treatment, outdoor & indoor industrial locations;

Zone21 & Zone22: grain mills, sugar processing, wood pro-cessing, food processing, other combustible dust plants.



Product Features

- A large side mounted Ex e terminal chamber for Ex e cable entries with easy wiring and looping option.
- Different mounting modules for multiple mounting patterns: wall mounting, ceiling mounting and pole mounting.
- External high efficiency reflector is available for special task lighting as an option.
- Rugged Ex de design for Zone 1 & Zone 21 application, IECEx & ATEX compliant.
- IP66 protection.
- Application temp. from -40°C to +55°C.
- Rugged copper free aluminum body and tempered glass globe with best impact duration and corrosion free feature.
- Full range of HID lamp wattage application: 70W, 100W, 150W, 250W, 400W, 600W.

Technical Data

Marking acc. to ATEX	⊕II 2 G Ex d e IIC T...Gb ⊕II 2 D Ex tD A21 IP66 T...
Marking acc. to IECEx	Ex d e IIC T...Gb Ex tD A21 IP66 T...°C Tamb: -40°C ~ +55°C
Permissible ambient temp.	-20°C ~ +55°C Optional low temp -40°C ~ +55°C
Input voltage & frequency	220V AC 50/60Hz, 230V AC 50/60Hz, 240V AC 50Hz
Connecting terminal	3 core 6mm ² max. conductor/cable
Insulation class	I
Lamp	HPS: 70W, 100W, 150W, 250W, 400W, 600W MHS: 70W, 100W, 150W, 250W MHM: 400W
Lamp holder	HPS 70W & MHS 70W, 100W, 150W: E27 HPS 100W - 600W & MH 250W - 400W: E40
Degree of protection	IP66
Cable entry	2 x M20 x1.5 / 2 x M25 x1.5 1 entry fixed with an Ex e plastic plug
Dimension	Small body: Ø215 x 480mm Large body: Ø300 x 599mm
Weight	Refer to different wattage
Material	Body - Copper free aluminum Globe - Tempered glass External fasten screw - SS316 Mounting bracket - steel with painted power coating Finish - Painted polyester power coating grey

EVZ Ex Pendant Light 70W~600W

Ordering Logic

Small body

EVZ	I	S	1M	07	3	0	LT	TI
Series No.	Entry type	Lamp type	Entry size	Wattage	Voltage	Guard	Ambient temperature	Ignitor
EVZ	I=Indirect Entry	S=HPS	1M=M20	07=70W	3=220V 50Hz	0=without guard	Default=-20°C~+55°C	Default=regular type
		M=MH	2M=M25	10=100W	4=220V 60Hz	4=SS 304 guard	LT=-40°C~+55°C	TI=Timed ignitor
				15=150W	5=230V 50Hz	6=SS 316 guard		
					6=240V 50Hz			
					7=230V 60Hz			

Large body

EVZ	I	S	1M	15	3	0	LT	L	TI
Series No.	Entry type	Lamp type	Entry size	Wattage	Voltage	Guard	Ambient temperature	Ignitor	Ignitor
EVZ	I=Indirect Entry	S=HPS	1M=M20	15=150W	3=220V 50Hz	0=without guard	Default=-20°C~+55°C	L=Large body(only 150W)	Default=regular type
		M=MH	2M=M25	25=250W	4=220V 60Hz	4=SS 304 guard	LT=-40°C~+55°C		TI=Timed ignitor
				40=400W	5=230V 50Hz	6=SS 316 guard			
				60=600W	6=240V 50Hz				
				(only HPS)	7=230V 60Hz				

Temperature Class Feature

Small body

Fixture Catalog No.	Power (W)	Lamp	Without reflector						With reflector						Weight (kg)
			Gas (°C)			Dust (°C)			Gas (°C)			Dust (°C)			
			40°C	50°C	55°C	40°C	50°C	55°C	40°C	50°C	55°C	40°C	50°C	55°C	
EVZIS*07***	70	HPS	T5	T5	T4	83	93	98	T4	T4	T4	100	110	115	10
EVZIM*07***		MH	T5	T5	T4	83	93	98	T5	T4	T4	93	103	108	
EVZIS*10***	100	HPS	T5	T4	T4	94	104	109	T4	T4	T4	110	120	125	11
EVZIM*10***		MH	T4	T4	T4	97	107	112	T4	T4	T4	112	122	127	
EVZIS*15***	150	HPS	T4	T4	T4	113	123	128	T3	T3	T3	136	146	151	12
EVZIM*15***		MH	T4	T4	T4	111	121	126	T3	T3	T3	133	143	148	

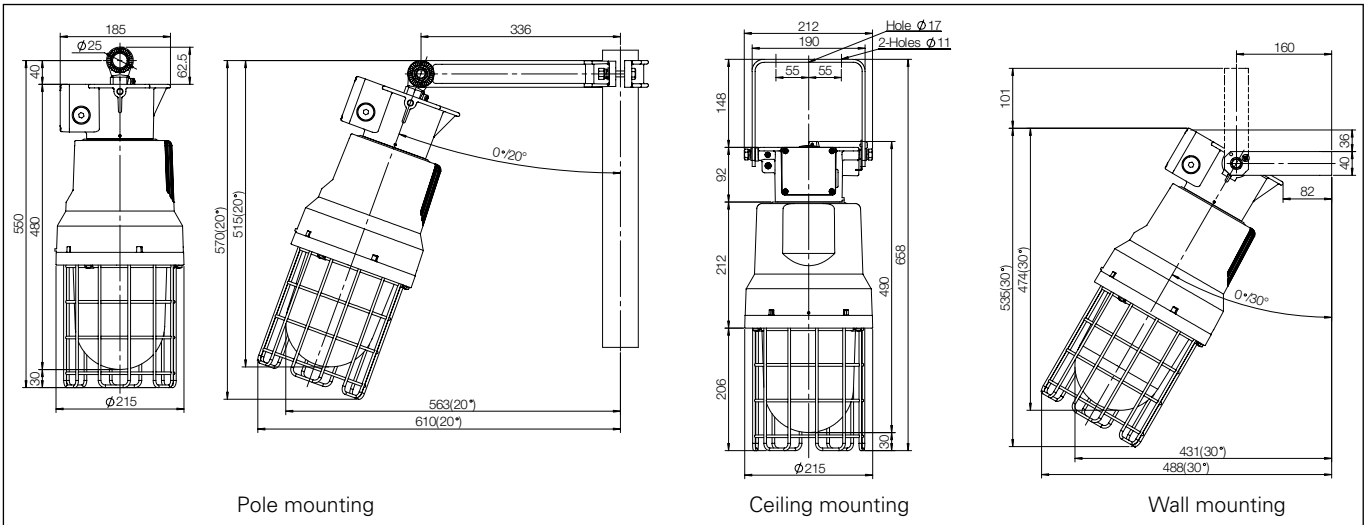
Large body

Fixture Catalog No.	Power (W)	Lamp	Without reflector						With reflector						Weight (kg)
			Gas (°C)			Dust (°C)			Gas (°C)			Dust (°C)			
			40°C	50°C	55°C	40°C	50°C	55°C	40°C	50°C	55°C	40°C	50°C	55°C	
EVZIS*15***L	150W	HPS	T4	T4	T4	98	108	113	T4	T4	T4	107	117	122	15
EVZIM*15***L		MH	T4	T4	T4	100	110	115	T4	T4	T4	110	120	125	
EVZIS*25***	250W	HPS	T3	T3	T3	134	144	149	T3	T3	T3	137	147	152	16
EVZIM*25***		MH	T3	T3	T3	132	142	147	T3	T3	T3	140	150	155	
EVZIS*40***	400W	HPS	T3	T3	T3	146	156	161	T3	T3	T3	165	175	180	18
EVZIM*40***		MH	T3	T3	T3	167	177	182	T3	T3	T3	175	185	190	
EVZIM*60***	600W	HPS	T3	T3	T3	167	177	182	/	/	/	/	/	/	20

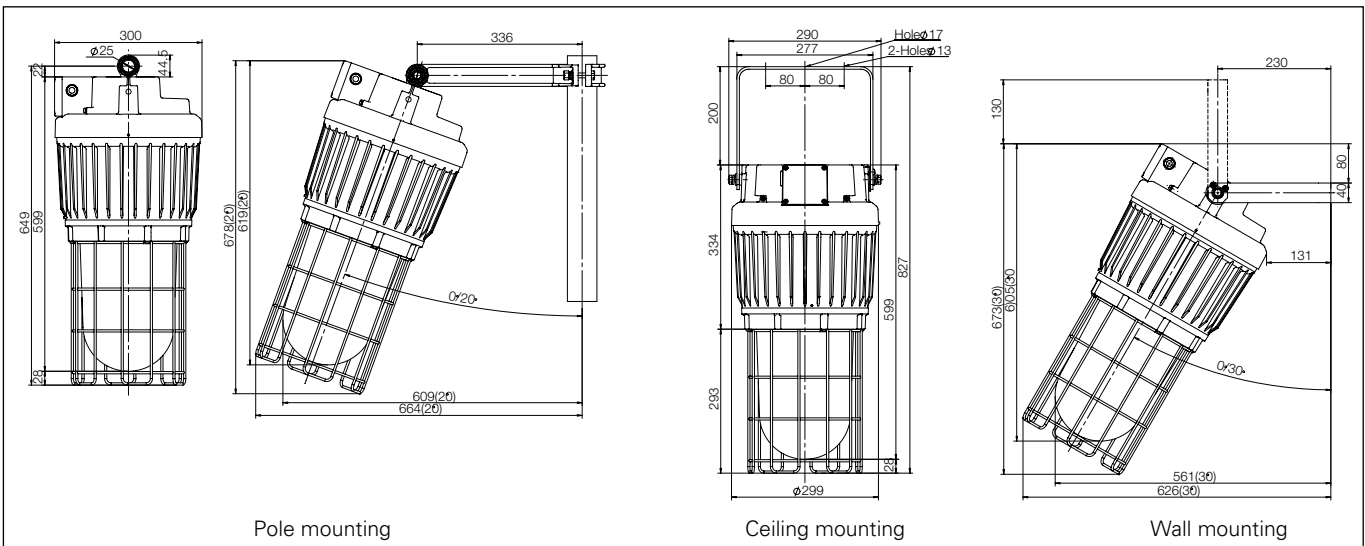
EVZ Ex Pendant Light 70W~600W

Installation and Dimension

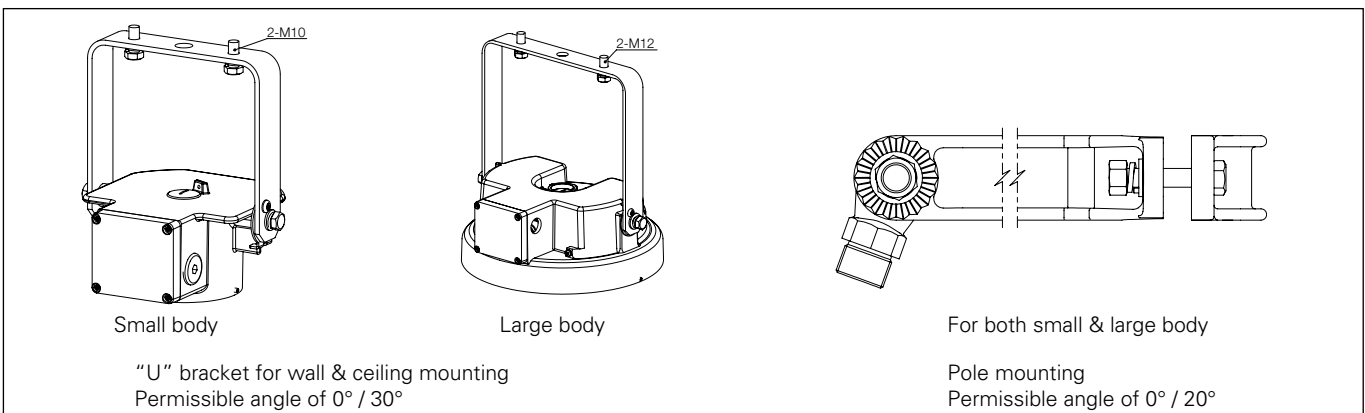
Small Body



Large Body



Mounting Module



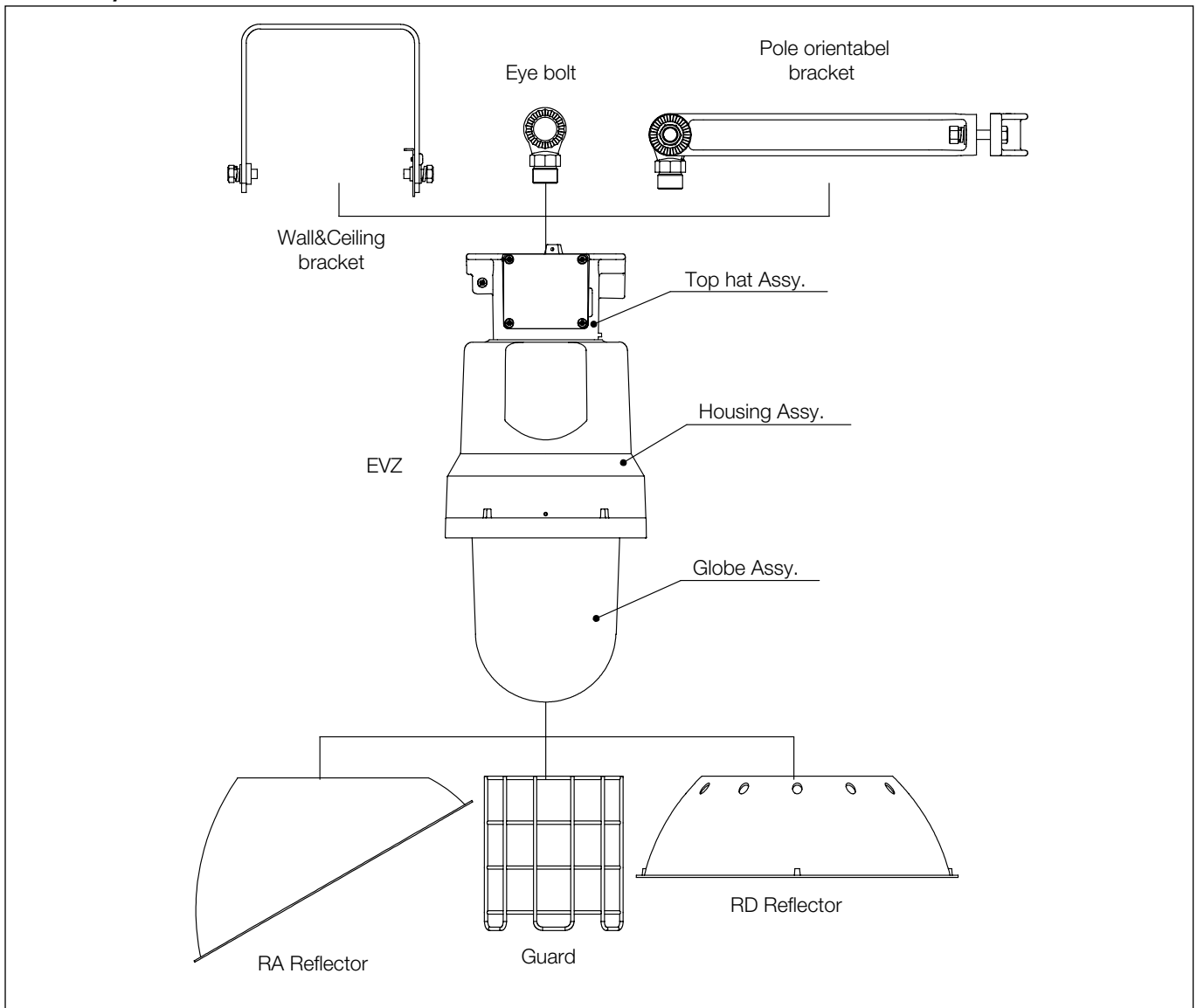
EVZ Ex Pendant Light 70W~600W

Accessories

Item	Product code
"U" bracket - Small body	CCL1076001
"U" bracket - Large body	CCL1076002
Pole mounting bracket	CCL1076003
RA reflector (RA725) - small body	750283
RD reflector (RD725) - small body	750286
RA reflector - large body	CHR9973 (150W-400W only)
RD reflector - large body	CHR9972 (150W-400W only)
SS316 wire guard - small body	CHR8138
SS316 wire guard - large body	CHR7870
SS304 wire guard - small body	CHR8137
SS304 wire guard - large body	CHR7869
Eye bolt	CHR6196

Product Series

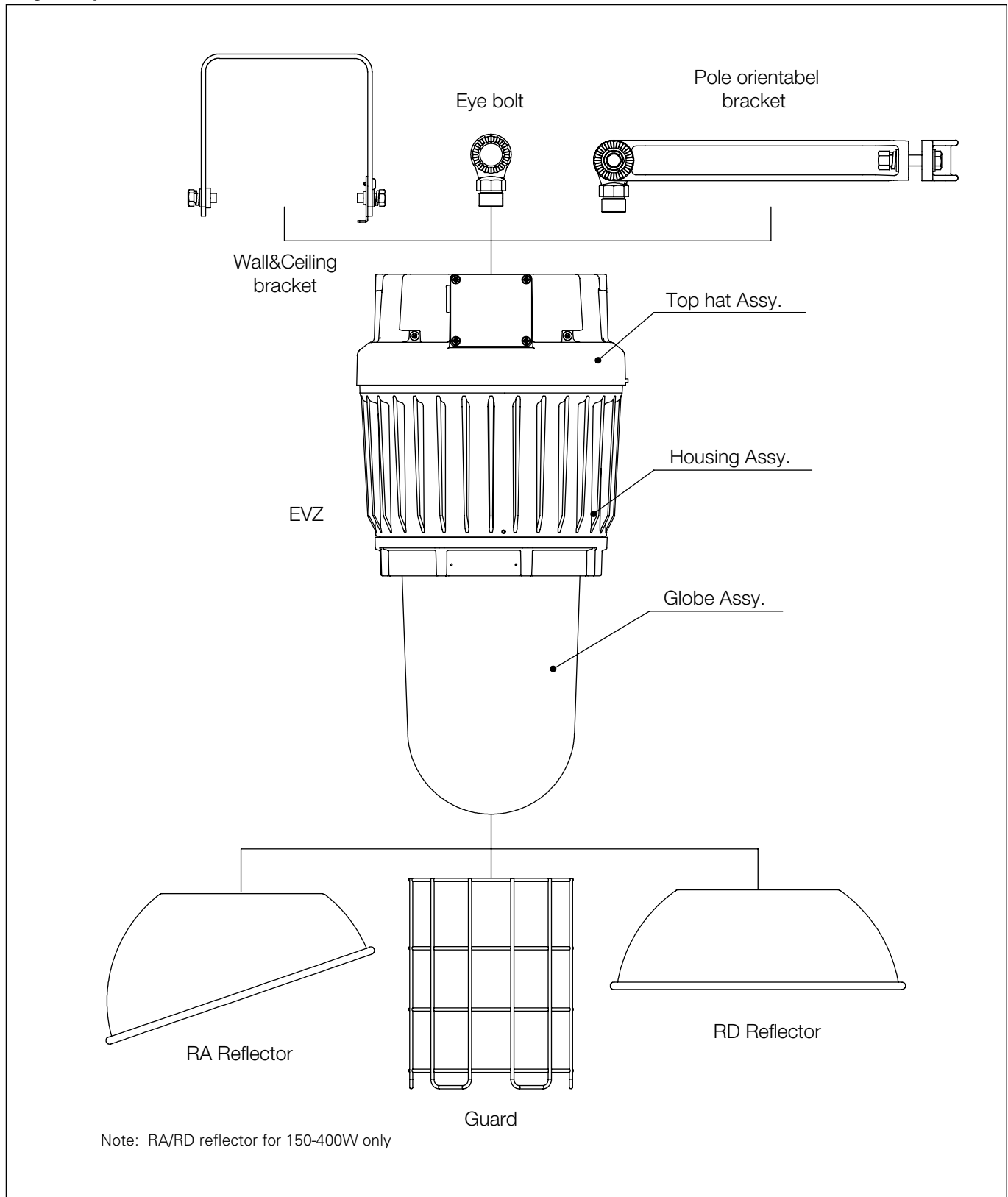
Small Body



EVZ Ex Pendant Light 70W~600W

Product Series

Large Body

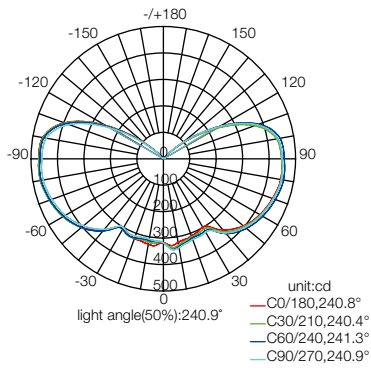


EVZ Ex Pendant Light 70W~600W

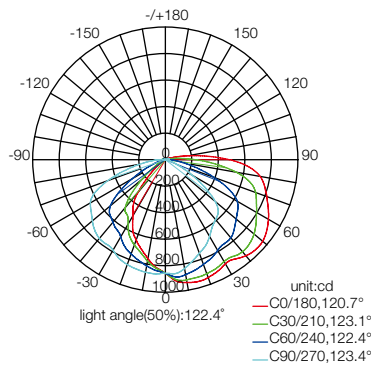
Polar Curve

Small Body

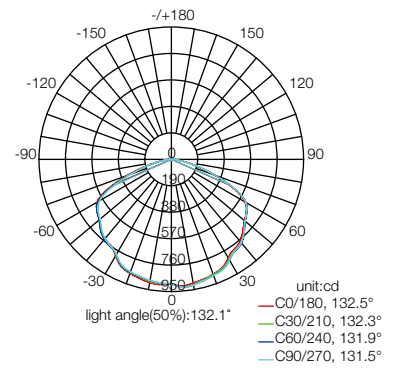
70WH PSwi thoutguard& reflector



70W HPS with RA reflector

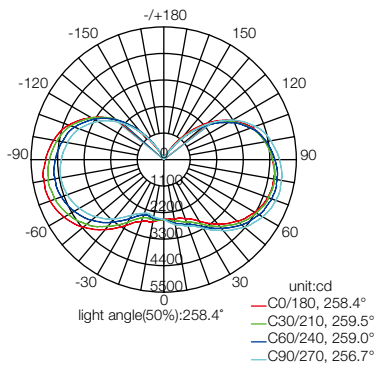


70W HPS with RD reflector

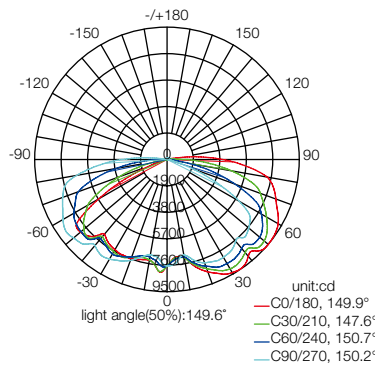


Large Body

400W HPS without guard & reflector



400WH PSwi thR Areflector



400W HPS with RD reflector

